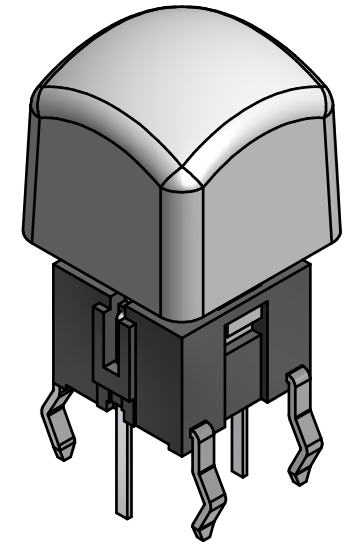
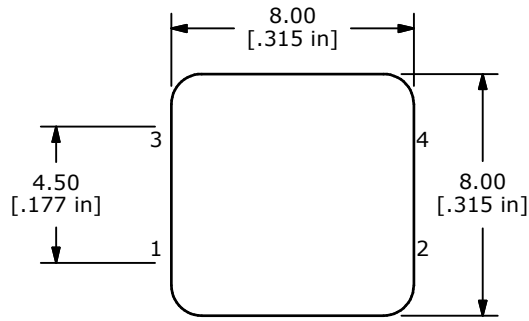
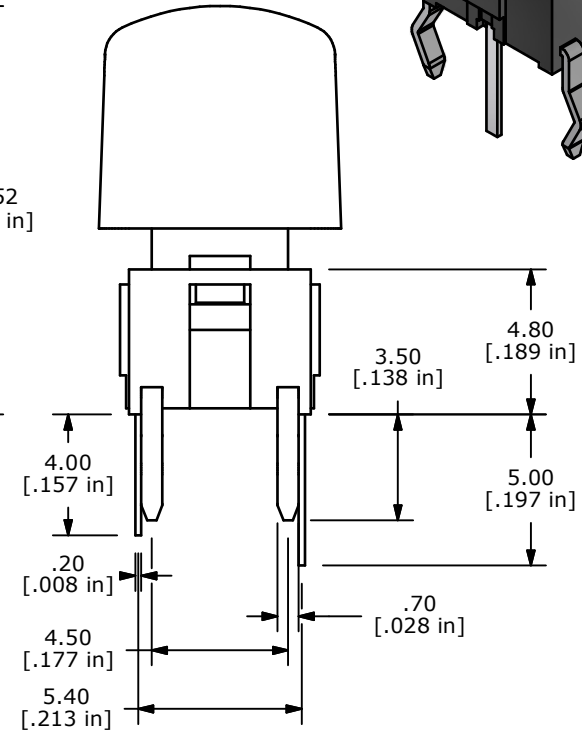
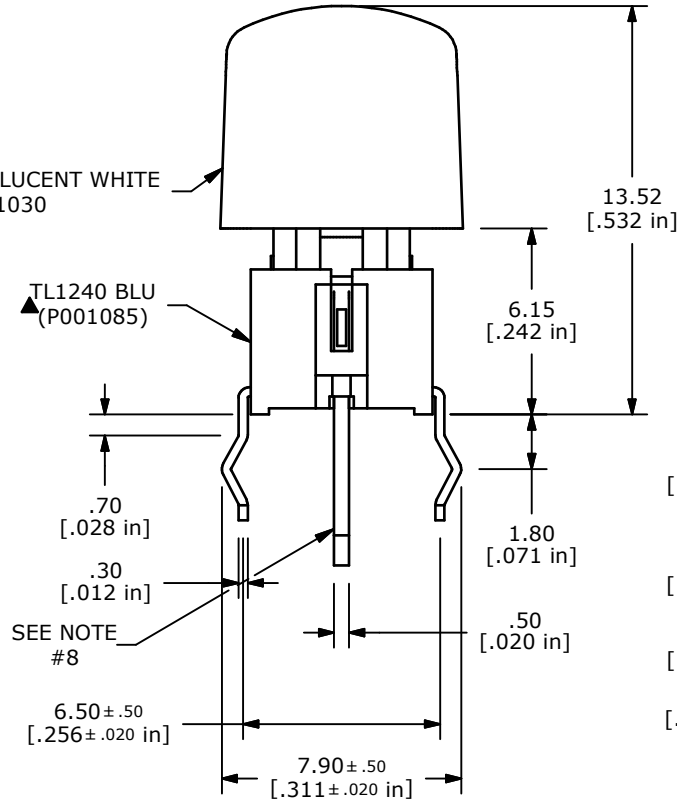


- NOTES:
1. ALL DIMENSIONS IN MM
  2. GENERAL TOLERANCE: X.X=±0.4  
X.XX=±0.25
  3. RATING: 50mA @ 12VDC
  4. TRAVEL: 0.25 +0.2/0.1mm
  - ▲5. OPERATING FORCE: 160±50gf
  6. CONTACT RESISTANCE: 100 Milli-Ohms Max
  7. 2002/95/EC (ROHS) COMPLIANT
  - ▲8. SHORTER LEAD (WITH COLOR) IS NEGATIVE (CATHODE).
  - ▲9. LED: BLUE
  10. ▲ DENOTES CRITICAL PARAMETER



3J CAP, TRANSLUCENT WHITE  
▲ P001030



LED SPECS	UNITS	BLUE
FORWARD CURRENT	mA	20
FORWARD VOLTAGE	V	3.2-4.0
LUMINOUS INTENSITY	MCD	500



TITLE TL1240BQ3JTRAN

A	20985	RELEASED FOR PRODUCTION	1/29/13	EBP
REV	PCR NO	DESCRIPTION	DATE	BY

SCALE	DATE	DR	DWG	REV
	1/29/2013	EBP	XP0316P	A

THE INFORMATION CONTAINED IN THIS DOCUMENT IS PROPRIETARY TO E-SWITCH AND IS NOT TO BE COPIED OR TRANSFERRED